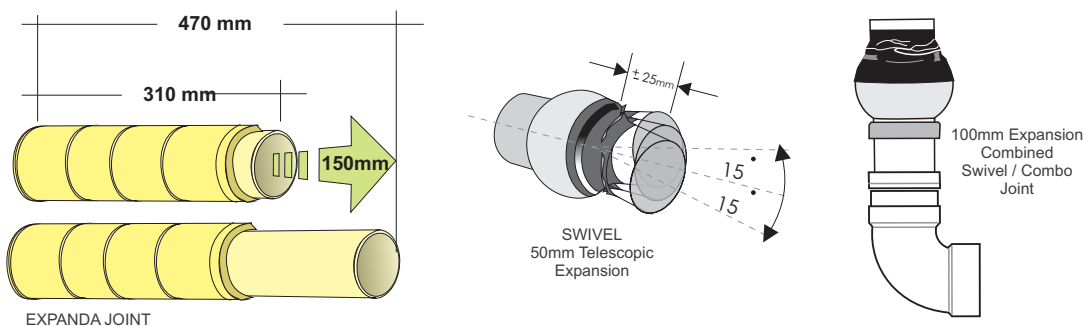


Table SP 01 - SOIL CLASSIFICATION, DIFFERENTIAL MOVEMENT, GRADE, ANGLE, JOINTS LOCATION & DRAWING No'S. CHART.

AS2870-2011 SOIL CLASSIFICATION	ON SITE SOIL CONDITIONS	DIFFERENTIAL MOVEMENT	SEWER & Stormwater GRADE	SWIVEL * (50mm Expansion)	SWIVEL/COMBO * (100mm Expansion)	EXPANDA JOINTS *	CREEP SLOPE SITES	DRAWING NUMBER
A	Most Sand & Rock sites	0 - 10mm	1:60 Minimum	Not necessary	Not necessary	Not necessary	These are termed P sites and are referred to in Drawing SP 105	N/a
S	Slightly reactive Soils	10 - 20mm						N/a
M	Moderately reactive soils	20 - 40mm						SP 100 & SP 101
H1	Highly reactive soils	40 - 60mm	1:40 Minimum	As per AS3500.5 using 2 units outside and an Expansion Joint at every riser	As necessary using either or both Bend or Straight units	At Junctions within 1 mtr of internal building footprint and every 6 mtrs.		SP 102
H2	Very highly reactive soils	60 - 75mm						SP 102A
E	Extremely reactive soils	75 + mm						SP 102A
P	Soils affected by Abnormal moisture and conditions	From.. 20 + mm	As per Differential Movement	Not applicable to suspended sub-floorsunless suspended from slab	See AS2032-2006 Clause 6.4.2.2-4 for suspension requirements		SP 105A

NOTE: Engineer or local Authority details take precedence over this chart

To be read in conjunction with Storm Plastics drawings shown.



GRADE RATIO	FALL IN 10 mtrs	ANGLE	GRADE %
1:100	100 mm	.57	1.0
1:80	125 mm	.71	1.25
1:60	167 mm	.95	1.65
1:50	200 mm	1.14	2.0
1:40	250 mm	1.43	2.5

* Unless specified otherwise, these joints are to be set at 50% of total telescopic movement.