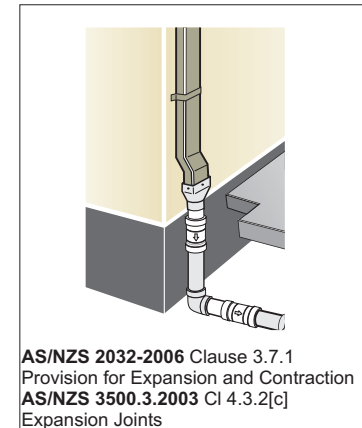
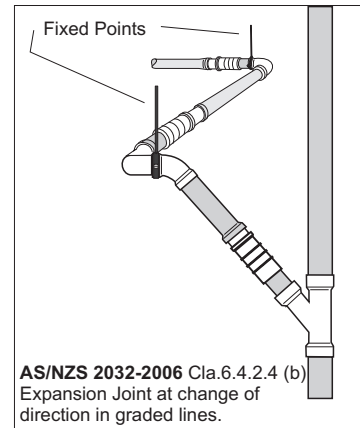
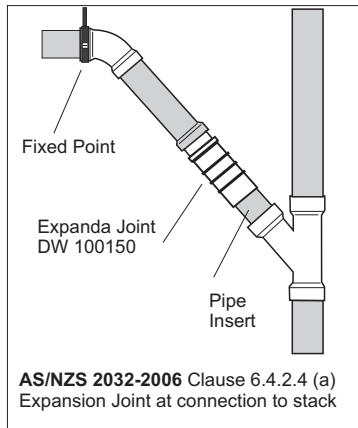
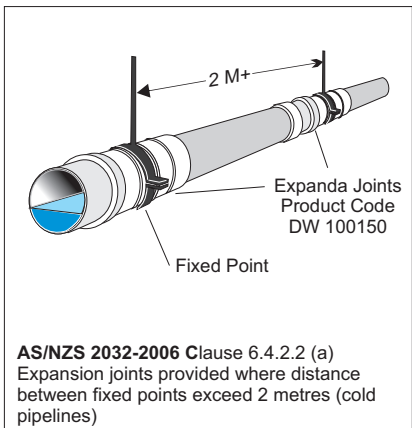


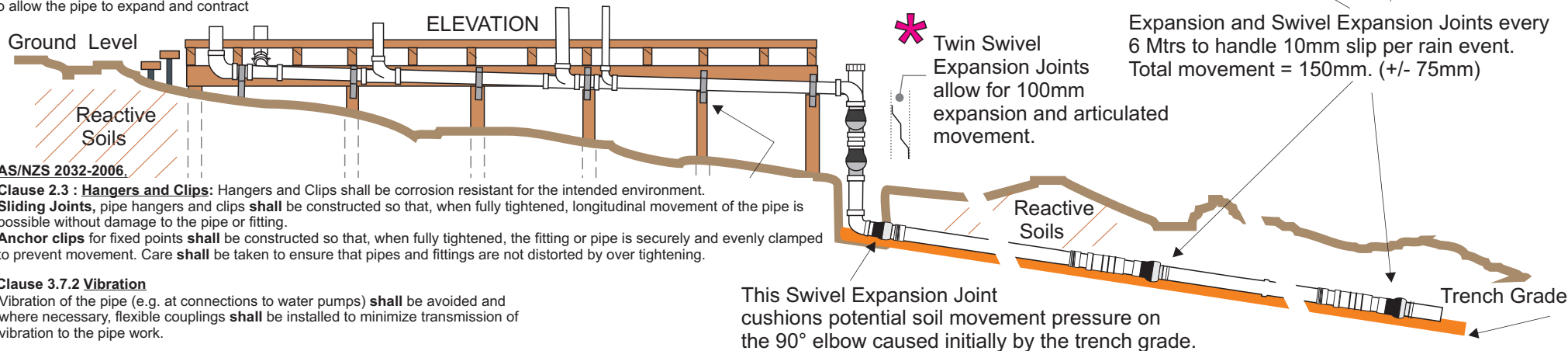
AS2870-2011 is the most radical change to interpreting soils & house engineering we have seen since 1986 and several trades will need to know what is in it and how to apply it.

AS/NZS 3500.2.2018 Cl. 4.3.2 [c] Provision for expansion shall be made appropriate to materials and their applications.



AS/NZS 2032-2006  
Clause 3.7.1 Provision for Expansion and contraction.

Downpipes do not normally need special provision for expansion and contraction. However, when a downpipe is connected to a Stormwater pipe, or otherwise restrained at the discharge end, provisions shall be made to allow the pipe to expand and contract



AS/NZS 2032-2006.

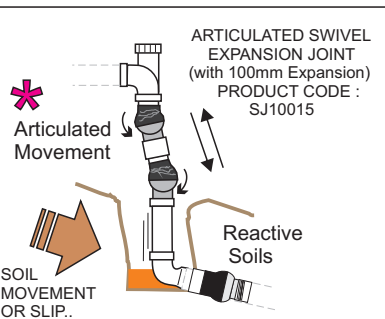
Clause 2.3 : **Hangers and Clips:** Hangers and Clips shall be corrosion resistant for the intended environment. **Sliding Joints,** pipe hangers and clips shall be constructed so that, when fully tightened, longitudinal movement of the pipe is possible without damage to the pipe or fitting. **Anchor clips** for fixed points shall be constructed so that, when fully tightened, the fitting or pipe is securely and evenly clamped to prevent movement. Care shall be taken to ensure that pipes and fittings are not distorted by over tightening.

Clause 3.7.2 **Vibration**

Vibration of the pipe (e.g. at connections to water pumps) shall be avoided and where necessary, flexible couplings shall be installed to minimize transmission of vibration to the pipe work.

Clause 4.2.2 (g)

**Solvent Cement Jointing**  
Allow the joints to cure for 24hrs. Do not fill the pipeline with water until at least 1 h after making the last joint. Do not pressurize for at least 24 h after making the last joint.



Manufactured under a quality system certified as complying with ISO 9001 by an accredited certification body

Please refer to Storm Plastics Table No. SP- 1 for additional details on flow gradients and installation

Drawing No.SP 105A		NOT DRAWN TO SCALE	
Site CLASSIFICATION	Class - P : Land Slip or Creep		
AS 2870-2011	Residential Installation Guide ONLY for use of Mechanical Expansions Joints in Reactive Soils.		
COMPANY	STORM PLASTICS Pty Ltd		
GRADE	1:50 (200mm Fall in 10 Mtrs)		
PIPE MATERIAL	Poly Vinyl Chloride - PVC	Oct. 2019	

