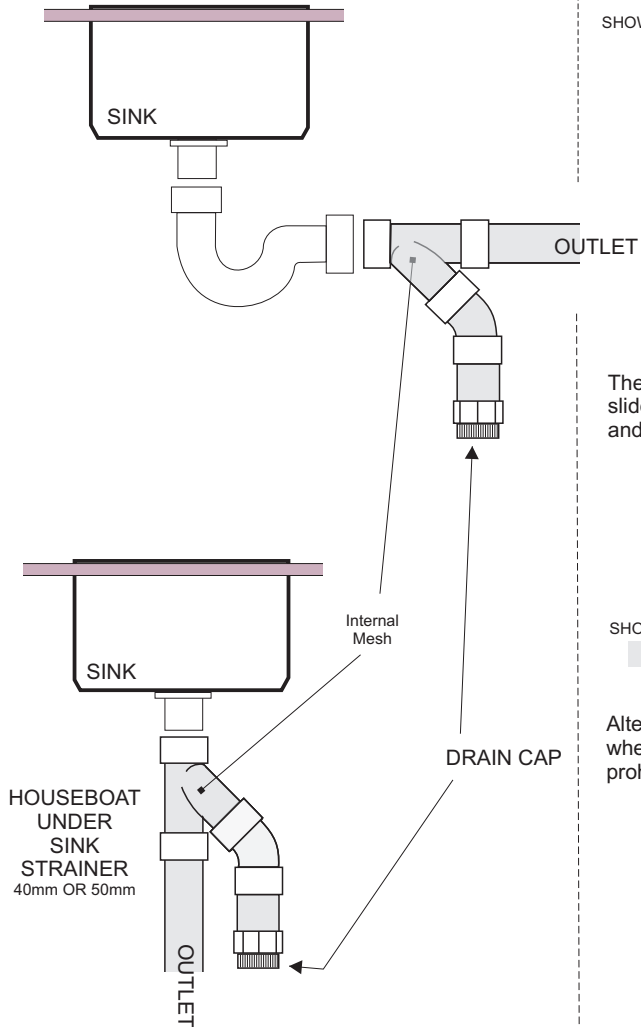
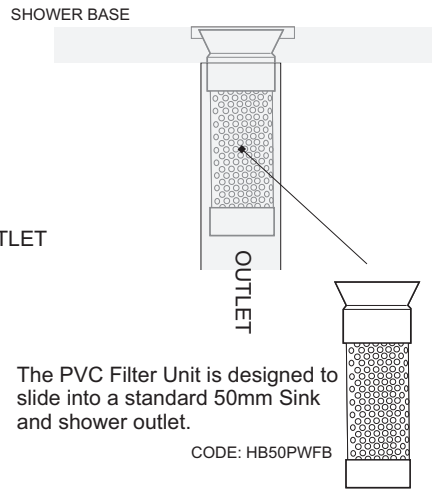


MARINE PRODUCTS - INSTALLATION LOCATIONS



A simple yet effective Under Sink Filter system to trap objects greater than 3mm diameter. Ideal for maintenance. Access through the Drain Cap.

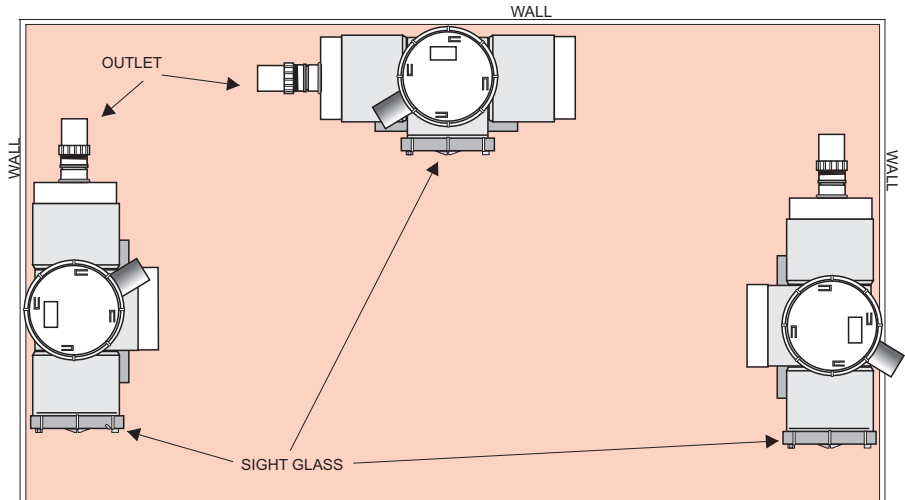
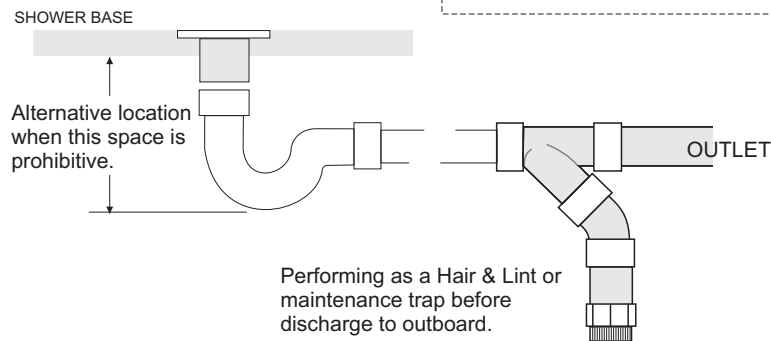
40mm CODE : HBUS40
50mm CODE : HBUS50



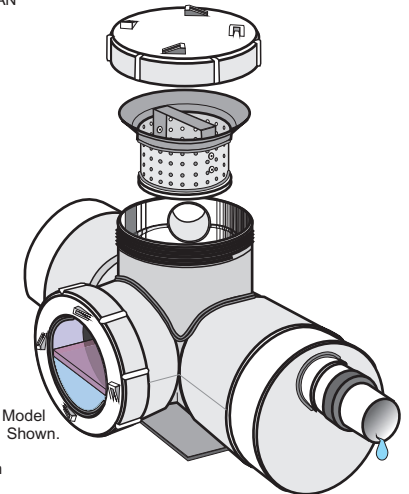
The PVC Filter Unit is designed to slide into a standard 50mm Sink and shower outlet.

CODE: HB50PWFB

OR



Plan Layout showing various locations and design configurations to suit most under sink or internal cupboard requirements.




Also available in 1.75 Ltrs model
CODE: HBGSTUS100



QUALITY APPROVED TO AS/NZS ISO 9001:2008
REG. Number 1274



Manufactured under a quality system certified as complying with ISO 9001 by an accredited certification body

Drawing No.SP 30 P		NOT DRAWN TO SCALE	
NAME			
	CODE		
	COMPANY DRAWN	STORM PLASTICS (SA) Pty Ltd August 2012	
	PIPE MATERIAL	Poly Vinyl Chloride - PVC	
DIMENSIONS		All dimensions shown are nominal in mm and subject to change without notice.	