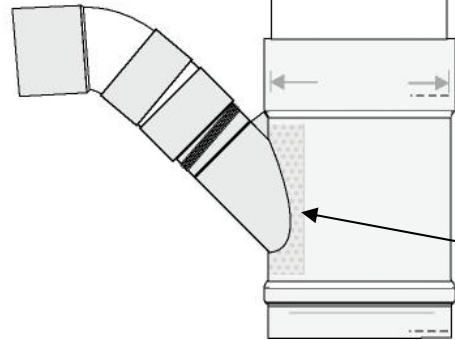
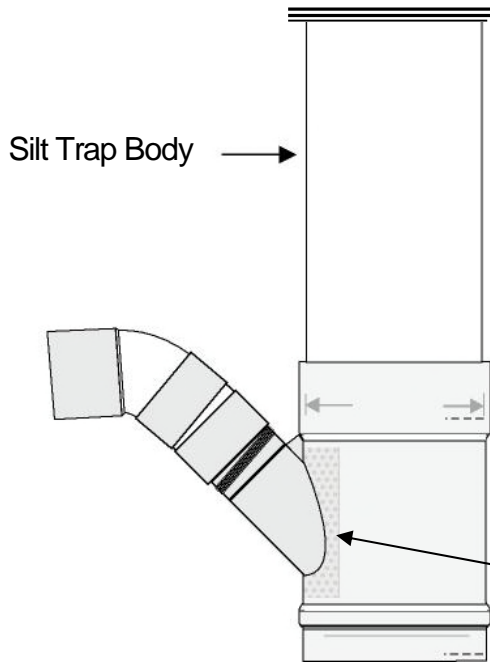
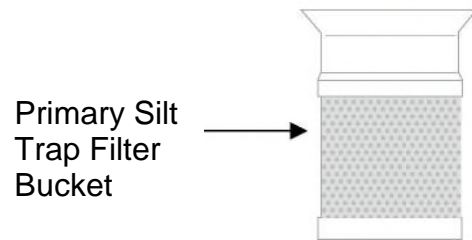
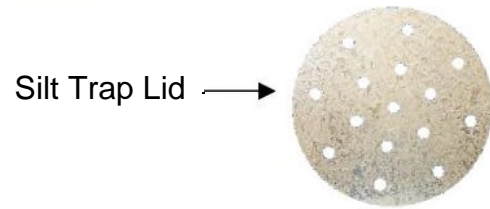


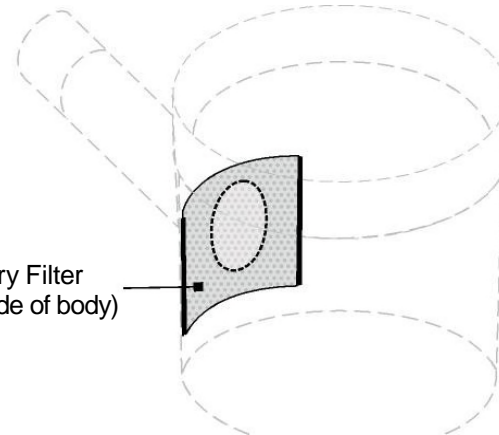


Silt Trap Maintenance - CLEANING INSTRUCTIONS

*Storm Plastics Silt Traps have been approved by the Trade Waste Branch.
Please Note: Performance/Compliance of the Silt Trap is the responsibility of the Trade Waste Discharger being the person who holds the Trade Waste Discharge Permit.*



Fixed Secondary Filter
(welded to base inside of body)



1. Cleaning requirement is governed by the frequency of use and the type of solids and liquids discharged into the Silt Trap.
We recommend maintenance cleaning of both the primary Silt Trap Filter Bucket and Fixed Secondary Filter occur Bi-monthly as a minimum but it is the responsibility of the user to provide proper cleaning frequency that Preventative Maintenance of blockages requires.
2. To clean, remove the Silt Trap Lid and lift the Primary Filter Bucket out of the Silt Trap Body and empty the Solids into an appropriate Waste Bin.
Remove any residue materials found inside the Silt Trap Body that may have bypassed the Primary Filter Bucket.
3. Using a firm plastic bristle brush and a high pressure hose scrub the Fixed Secondary Filter and spray away any attached residue materials.
Repeat this process to the Silt Trap Filter Bucket.
Mild detergents may be used to remove stubborn or attached solids and scum.
4. Finish by spraying the entire internal area and Silt Trap Filter Bucket with clean water and replace both the Silt Trap Filter Bucket and Silt Trap Lid.